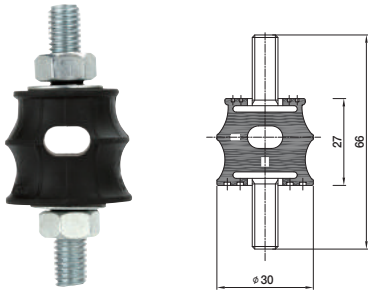


VB-1030H

Rubber Oval Mount (Deflection : 5mm)

(The model name of VBO-30 product has changed to VB-1030H)



● Features

The VB-1030H is a rubber mount with an increased static deflection and Oval hole at the center to maintain the stable operation of the equipment against horizontal vibration. It has the hardness of 55±5 and with the M8 bolt, it can load up to 25kgf.

- **Usage** - For small pumps and small ventilators
- For small motors and measurement equipment

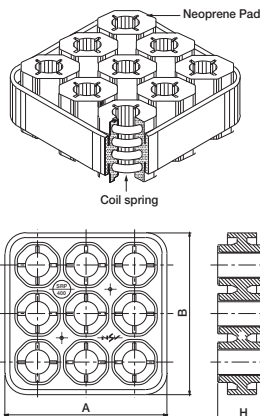
● Dimension & Selection Guide

Type	Capacity(kgf)	Hardness(Hs)	Deflection(mm)	Dimension(mm)				
				A	B	H	H1	Bolt
VB-1030H	30	60±5	5.0	30	27	66	-	M8X30

(NOTE) The mentioned size and scale can be altered to improve the quality performance and capacity of the product without any notice.

SRP

Spring Rubber Pad (Deflection : 5.5~7mm)



● Features

It is a highly-efficient product that provides 3-4 times higher vibration isolation efficiency than the conventional rubber pad by using the metal spring's low natural frequency and all of the advantages of anti-vibration rubber, such as multi-axis pavement, high frequency and noise isolation effects. By lowering its center of gravity as low as possible, the load can be evenly distributed on the pad.

- **Usage** - For facilities and equipment (PUMP, FAN, AHU)
- For industrial machines (Press, Shearing Machine)
- For horizontal pipes
- For vertical pipes Anchor and Guide
- For all kinds of equipment installed on a solid base

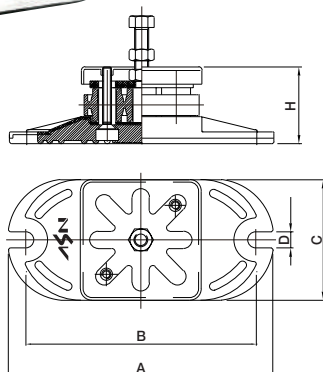
● Dimension & Selection Guide

Type	Capacity (kgf)	Hardness (HS)	Deflection (mm)	Weight (kg)	Dimension(mm)			
					A	B	H	
SRP-25	25	40±5	5.5	0.02	57	71	19	
SRP-50	50			0.04				
SRP-100	100			0.1	60	74	30	
SRP-200	200			0.12				
SRP-400	400			0.32	100	100	30	
SRP-600	600			0.33				
SRP-800	800			0.38				
SRP-1000	1000			0.84				
SRP-1200	1200			0.88	154	118	30	
SRP-1500	1500			0.88				
SRP-2000	2000		0.86					
SRP-2500	2500		7	7	0.92	190	118	30
SRP-3000	3000				0.96			

(NOTE) The mentioned size and scale can be altered to improve the quality performance and capacity of the product without any notice.

SRM

Spring Rubber Mount (Deflection : 5.5mm)



● Features

It is an improved, mount version of SRP type spring rubber pad taking advantage of anti-vibration rubber and metal spring. SRM type enables control of the level to reduce horizontal deflection. Moreover, its external housing is made of stainless steel to prevent corrosion when installed outside.

- **Usage** - For facilities and equipment (for example, PUMP, AHU and FAN)
- For industrial equipment (including Press, Shearing Machine and Lathe)
- For all kinds of equipment installed on a solid base
- For vertical and horizontal pipes

● Dimension & Selection Guide

Type	Capacity (kgf)	Deflection (mm)	Weight (kg)	Dimension(mm)					
				A	B	C	D	H	Level Bolt
SRM-100	100	5.5	0.8	147	116	80	12	65	M10X60
SRM-200	200		0.81						
SRM-400	400		1.71	226	200	104	12	70	M12X65
SRM-600	600		1.71						
SRM-800	800		1.76						
SRM-1000	1000		3.7						
SRM-1200	1200		3.74	309	279	130	12	70	M12X65
SRM-1500	1500		3.7						
SRM-2000	2000		3.74						

(NOTE) The mentioned size and scale can be altered to improve the quality performance and capacity of the product without any notice.