

ELBOW-REPAIR CLAMP JOINTS

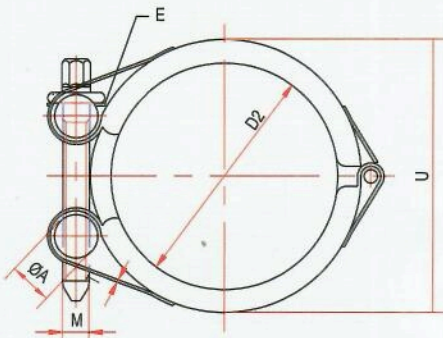
(Dimensions)



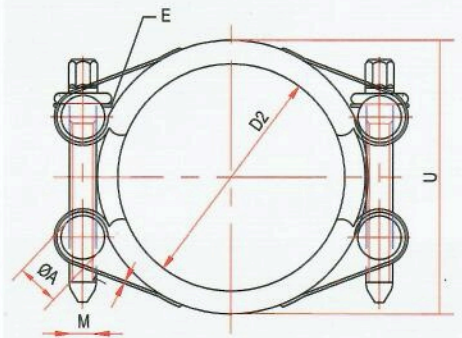
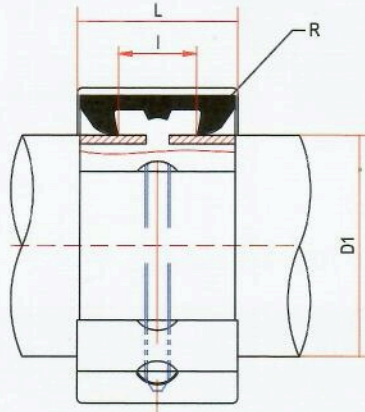
RCH-E



RCD-E



15A~150A



200A~500A

MODEL/N.D	D1		D2	M	ØA	L	I	T	U	W.P (Kg/cm ²)	W (Kg)	P N.m(Kg/cm ²)
	KS/JIS	ASTM										
15A 1/2"	21.7	21.3	0/D±0.3	M6 X 40L X 1BOLT	10	26.3	12.5	0.8	40.0	18	0.092	3~5(30~50)
20A 3/4"	27.2	26.7	0/D±0.5	M6 X 40L X 1BOLT	10	26.3	12.5	0.8	43.5	18	0.098	3~5(30~50)
25A 1"	34.0	33.4	0/D±0.6	M6 X 40L X 1BOLT	10	26.3	12.5	0.8	50.5	18	0.100	3~5(30~50)
32A 1-1/4"	42.7	42.2	0/D±0.6	M6 X 40L X 1BOLT	10	26.3	12.5	0.8	59.5	18	0.11	3~5(30~50)
40A 1-1/2"	48.6	48.3	0/D±1.0	M6 X 40L X 1BOLT	10	26.3	12.5	0.8	65.5	18	0.12	3~5(30~50)
50A 2"	60.5	60.3	0/D±1.0	M8 X 55L X 1BOLT	14	41.8	19.5	1.0	81.5	16	0.30	12~15(120~150)
65A 2-1/2"	76.3	73.0	0/D±1.0	M8 X 55L X 1BOLT	14	41.8	19.5	1.0	98.0	16	0.35	12~15(120~150)
80A 3"	89.1	88.9	0/D±1.0	M10 X 70L X 1BOLT	16	52.4	28.0	1.0	115.0	14	0.60	20~25(200~250)
100A 4"	114.3	114.3	0/D±1.0	M10 X 70L X 1BOLT	16	52.4	28.0	1.0	140.0	14	0.67	20~25(200~250)
125A 5"	139.8	141.3	0/D±1.0	M12 X 80L X 1BOLT	18	52.4	28.0	1.0	166.0	12	0.85	30~32(300~320)
150A 6"	165.2	168.3	0/D±1.0	M12 X 80L X 1BOLT	18	52.4	28.0	1.0	190.0	12	0.88	30~32(300~320)